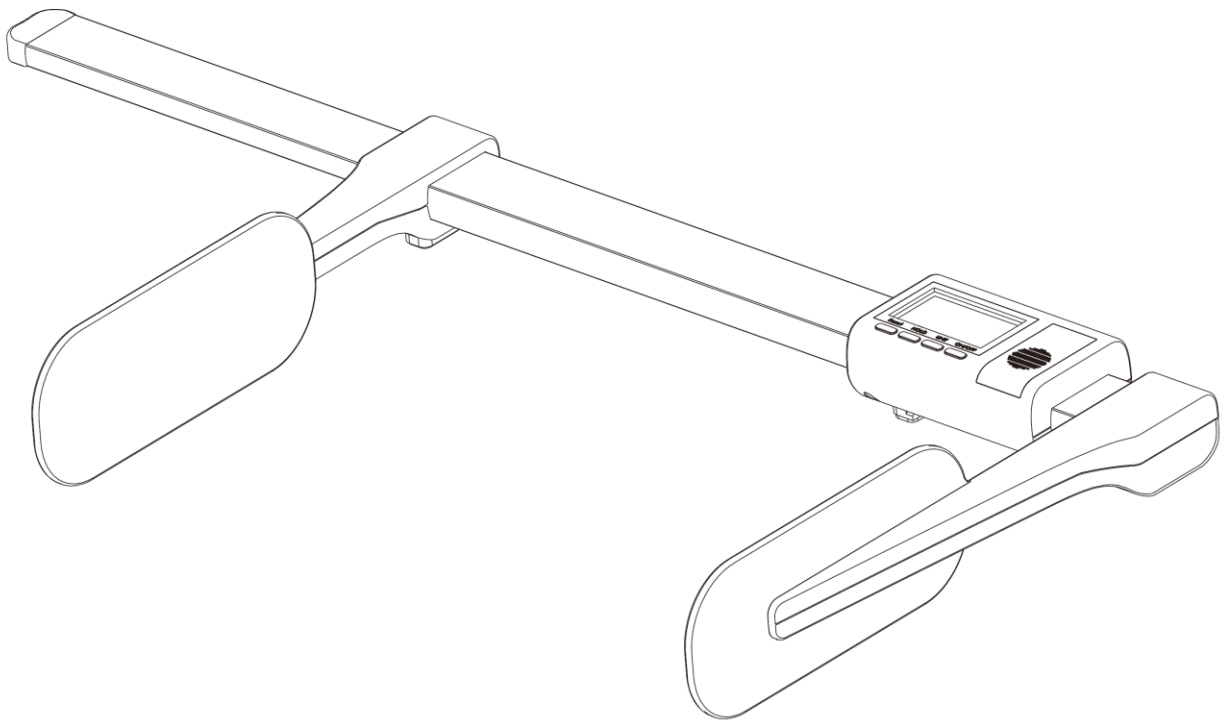


MARSDEN

HM-80D Digital Baby Height rod with Baby Tray

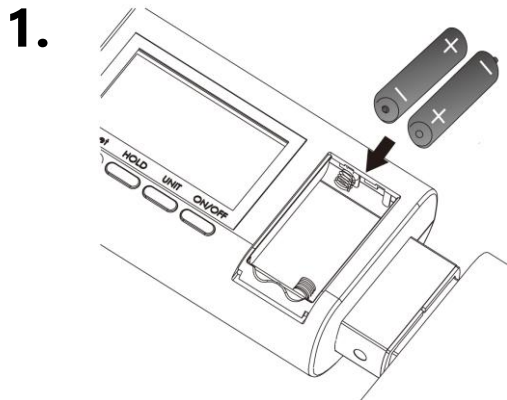


Please keep the instruction manual at hand and follow instruction for use.

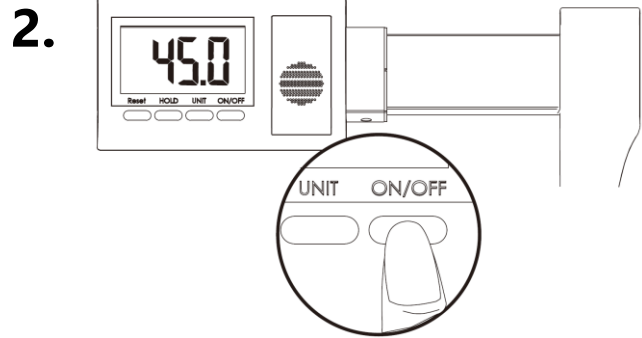
Contents

CALIBRATION	3
HOW TO MEASURE A BABY	4
KEY FUNCTION	5
SPECIFICATION	5
TROUBLE SHOOTING	5
ASSEMBLY INSTRUCTIONS	6

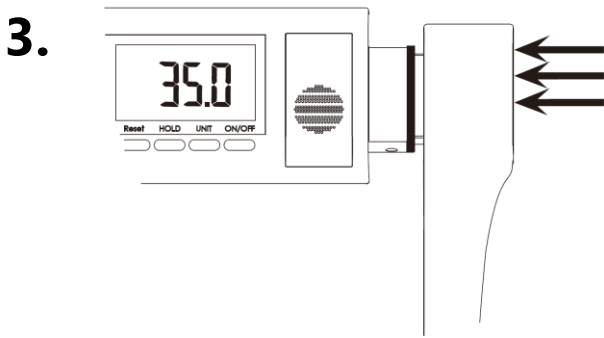
CALIBRATION



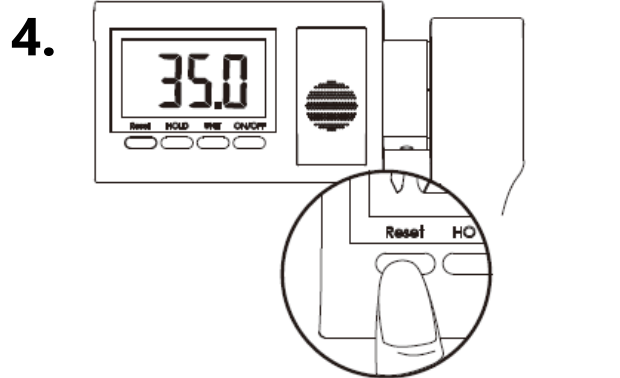
Installing battery



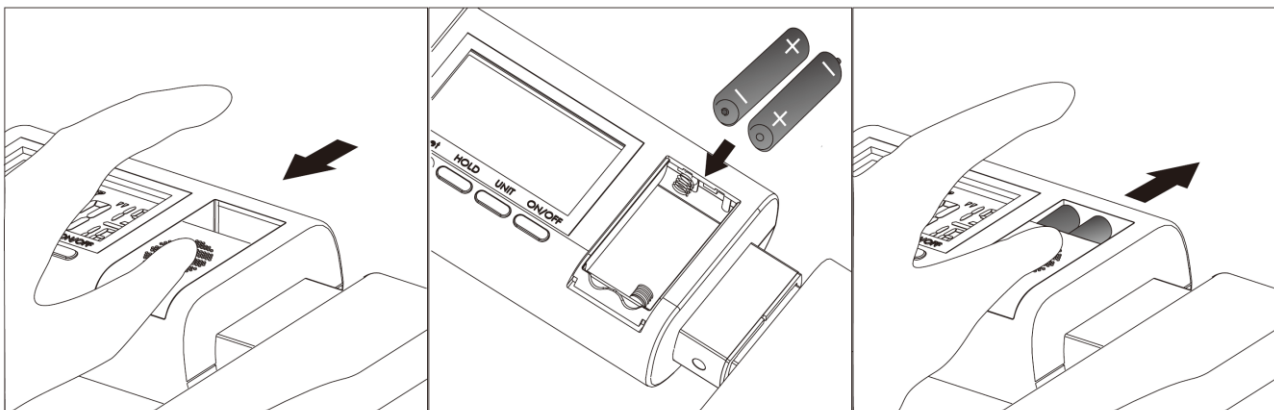
Press ON/OFF to switch on.



Press right head stop against indicator.

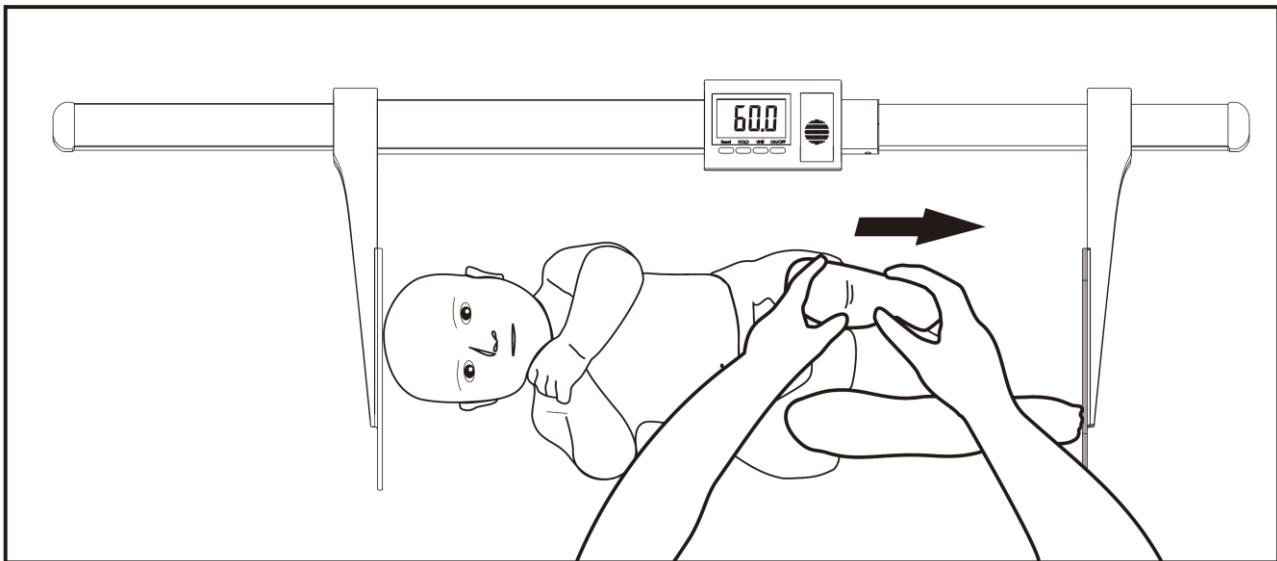


Make sure LCD shows 35.0cm.

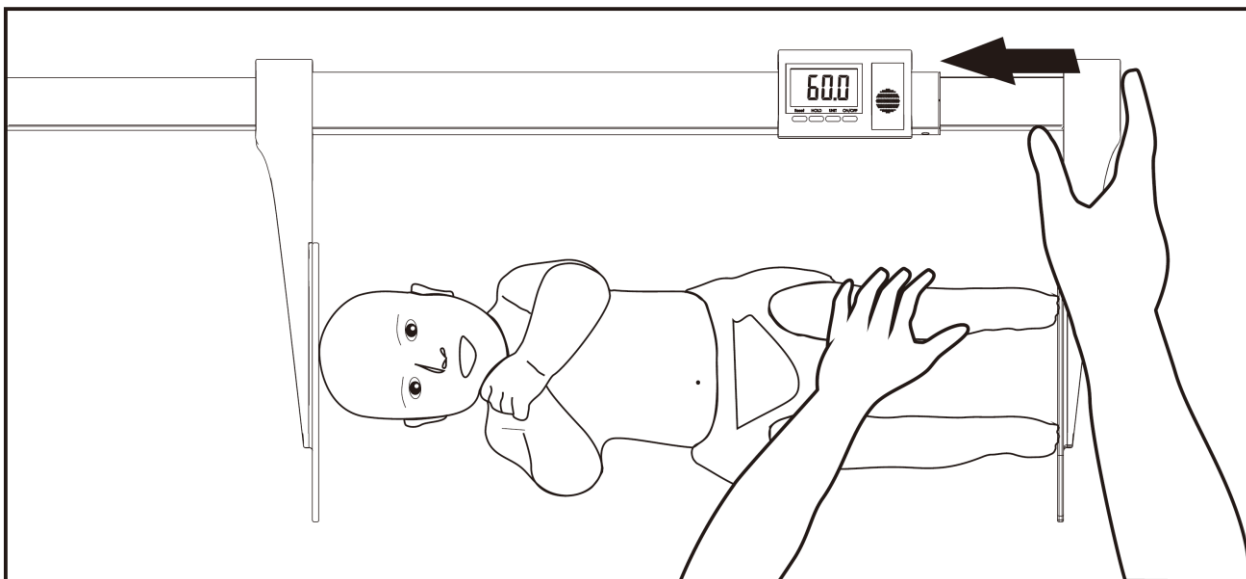


.Batteries installation
1.5V AAA x 2

HOW TO MEASURE A BABY



1. Lightly press head stop against baby's head.
2. Straighten baby's feet.



3. Sliding right head stop left until it touches baby's feet.
4. LCD will display the height of baby.
5. Press hold button to memorize the reading of height and write it down

KEY FUNCTION

■ON/OFF ■UNIT ■HOLD ■Reset

■ON/OFF

1. Press this key to switch on and off height rod

■UNIT

1. Press this key to select measuring unit(cm and inch)

■HOLD

1. Hold key is for the user to memorize height reading even if you slide the rod.

It is for the user to check the reading again after weighing. Press to memorize and press again to release.

■Reset

1. Reset key is for user to calibrate false reading. Press right head stop against indicator and press reset key to calibrate. LCD will show 35.0cm.

SPECIFICATION

Measurement range : 35-80 cm / $13\frac{3}{4}$ ~ $31\frac{1}{2}$ inch

Graduations : 1mm. 1/16 inch

Dimensions(W x H x L) : 29 x 7 x 62 cm

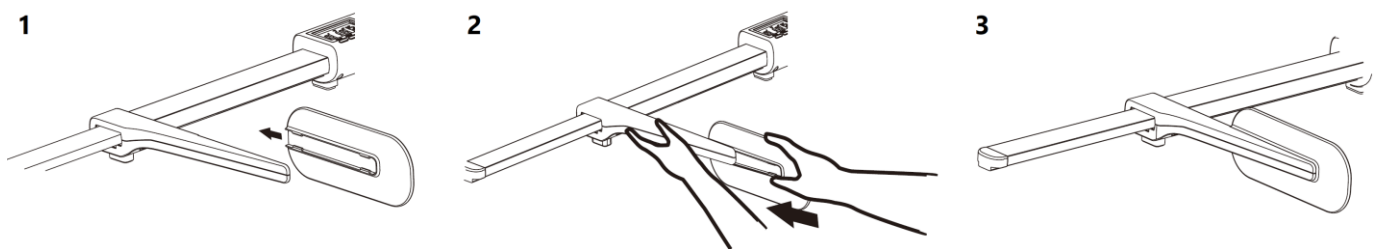
Weight : 700g

Temperature range : +10°C up to +40°C

Operation Environment : 700 hPa~1060 hPa

TROUBLE SHOOTING

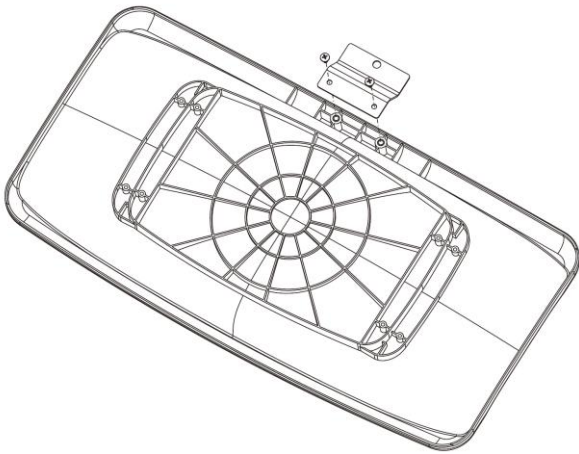
If head stop is loose please follow steps below



❗ If the reading has error please follow CALIBRATION to calibrate it.

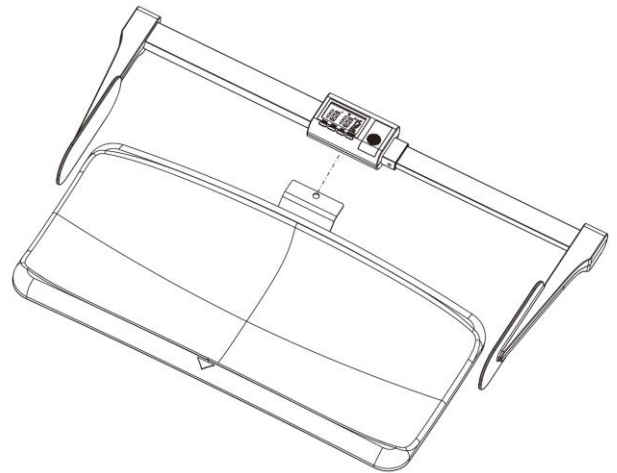
Assembly instructions

1



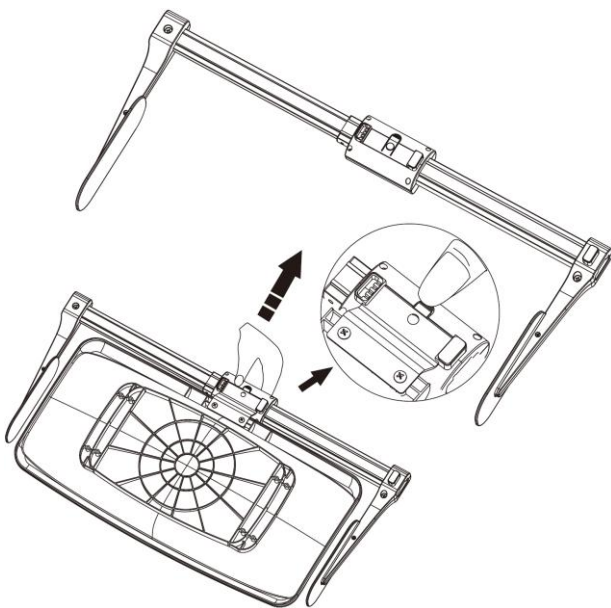
Screw the bracket to the tray underneath.

2



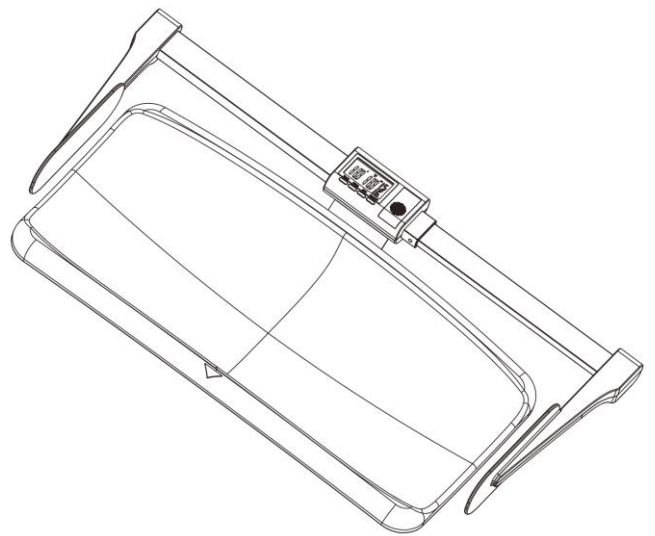
Buckling HM80D onto the bracket.

3



To remove HM80D from tray,
Please press the buckle and remove carefully.

4



Note : Make sure the buckle is fully
Assembled every time.



Manufacturer's Declaration of Conformity

This product has been manufactured in accordance with the harmonized EU standards, following the provisions of the below stated directives:

Electromagnetic Compatibility Directive 2014/30/EU

Low Voltage Directive 2014/35/EU

RoHS Directive 2011/65/EU and Delegated Directive (EU) 2015/863

MARSDEN

Tel: 01709 364296 / 0800 169 2775

Fax: 01709 364293

E-mail: sales@marsdengroup.co.uk

Distribution:

Unit 7, Centurion Business Park,

Coggin Mill Way,

Rotherham, S60 1FB

Head Office:

Unit 1, Genesis Business Park,

Sheffield Road,

Rotherham, S60 1DX

www.marsden-weighing.co.uk

CD-IN-8439(IN-1094) [80001F] 02/2026