

# CRANE SCALE

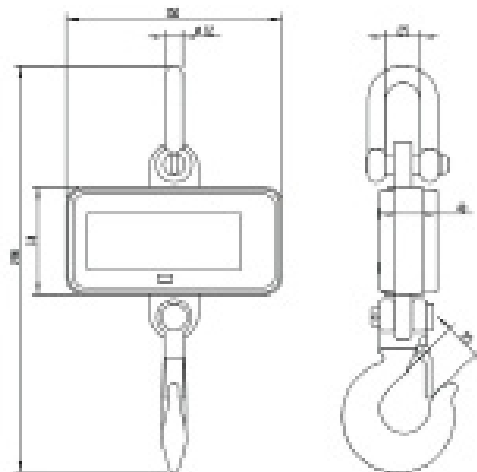
## OCS-S1

### Features

- Aluminum die-casting case
- Stainless steel shackle
- Alloy steel hook
- LED module display
- AA\* 4 batteries

### Functions

- Zero
- Tare
- Hold
- Auto power-off
- Battery supervision
- Overload alarm



### Specification

Tare Range	100% F.S.
Zero Range	4% F.S.
Safe Overload	120% F.S.
Overload Alarm	100% F.S. +9e
Battery	AA *4
Battery Life	>100h
Temperature Range	-10 - 40
N.W.	1.32kg

Max Capacity	Min Capacity	Graduation
kg	kg	kg
100	2	0.05
300	2	0.1
500	4	0.2
1000	10	0.5

