

CRANE SCALE

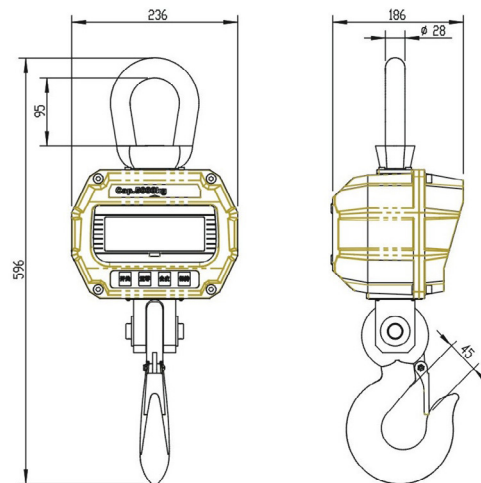
OCS-X

Features

- Aluminum die-casting case
- Intergrated load receptor
- Fixed shackle
- Standard eye hook
- LED module display
- Rechargeable battery
- Infrared remote control

Functions

- Zero
- Tare
- Hold
- Battery supervision
- Overload alarm/record



Specification

Tare Range	100% F.S.
Zero Range	4% F.S.
Safe Overload	120% F.S.
Overload Alarm	100% F.S.
Battery	6V/Ah
Battery Life	>80h
Temperature Range	-10C ~ 40C
N.W.	14kg

Max Capacity	Min Capacity	Graduation
kg	kg	kg
1000	10	0.5
3000	20	1
5000	40	2

